



**INDUSTRIAL EQUIPMENT**

***THRIFTY PACK***  
**SKIN PACKAGING MACHINE**



**THE MOST POPULAR SKIN  
PACKAGING MACHINE  
IN THE WORLD**

**Features Available On The Thrifty Pack Skin Machine**

- **Stationary Oven With Safety Guard For Faster Cycling**
- **Patented Spirad® Instant Heater Elements**
- **Variable Speed Turbine Vacuum System**
- **Adjustable Pre-Heat, Heat And Cool Package Time Functions**
- **Spindle Film Roll Holder**
- **Adjustable Oven Height**
- **Pneumatic Film Frame Drive w/Independently Adjustable Up And Down Speeds**
- **Positive Displacement Vacuum System Available**
- **Shipped Set Up And Ready To Use**

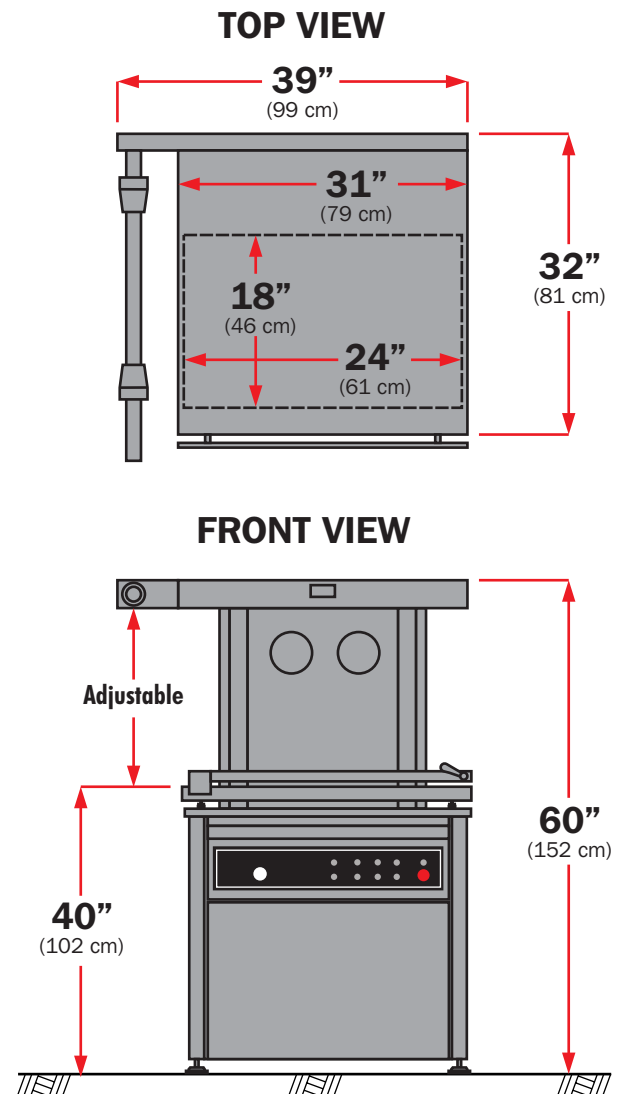
**ONE YEAR WARRANTY**

## Machine Specifications

Platen Size	<b>18" W, 24" L</b> (46 W, 61 L cm)
Platen Clearance	<b>Adjustable</b> <b>6"-18"</b> (15-46 cm)
Platen Height	<b>40"</b> (102 cm)
Film Capacity	<b>20" W, 9" OD, 3" ID</b> (51 W, 23 OD, 7.5 ID cm)
Overall Dimensions	<b>39" W, 32" D, 60" H</b> (99 W, 80 D, 152 H cm)
Power Requirements	<b>208 Volts, 41 Amps</b> <b>Single Phase</b>
Air	<b>.02 cfm @ 80 psi</b>
Vacuum (A)	<b>Hivac Turbine</b> <b>96 cfm, 6.5" Hg.</b>
Vacuum (B)	<b>Turbine plus 1/4 HP</b> <b>Pos. Disp. Pump, 21 Gal.</b> <b>Tank, 25" Hg.</b>
Weight (A)	<b>420 lbs.</b> (190 kg)
Weight (B)	<b>500 lbs.</b> (227 kg)

**ONE YEAR WARRANTY**

## Machine Footprint



**NOTE** Recommended Films:  
 3-20 Mil Polyethylene, Surlyn, Co-Polymers  
 and PVC

Recommended Board:  
 Corrugated, Shipmate, Cartons, Boxboard  
 and S.B.S.

Die Cutter: RC-2400 Rotocut

## Machine Options

- Spare Parts Kit
- Transformer For 440-480 Volts
- Electro-Pulse Film Cutoff
- Special Size Frame Insert And Platen
- 6 Foot Infeed/Outfeed Freestanding Table (Also With Carton Rack)
- 2 Foot Infeed/Outfeed Bolt On Wing
- Positive Displacement Vacuum System

For Additional Product Information, Contact:



**AMPAK A DIVISION OF HEAT SEAL LLC**

4580 EAST 71ST STREET CLEVELAND OHIO 44125

PHONE (216)588 0088 TOLL FREE (877)261 9711 FAX (216)341 2163

WORLD WIDE WEB [www.ampakco.com](http://www.ampakco.com) E-MAIL [custserv@ampakco.com](mailto:custserv@ampakco.com)

