



INDUSTRIAL EQUIPMENT

ROTOCUT

DIE CUTTER



Shown As: RC-2400

**QUICK, EASY SET UP
AND OPERATION**

**GET CLEANER CUTS WITH LESS
PRESSURE TO EXTEND DIE LIFE**

Features Available On The Rotocut

- **Bi-Flex Cutting Principle (Cutting Force Concentrated Between 2 Pressure Rolls)**
- **Powered 6" Diameter Rigid Steel Pressure Rolls**
- **Extra Heavy Duty Self Aligning Roller Bearings**
- **Stainless Steel Or Polypropelene Cutting Plate**
- **Single Point Cutting Pressure And Digital Height Adjustment**
- **Heavy Duty Infeed And Outfeed Rollers With Anti-Friction Bearings**
- **Left To Right, Right To Left Actuation**
- **Rugged Unitized Steel Frame**

ONE YEAR WARRANTY

Machine Specifications

Models	RC-2400, 3000, 3600
Cutting Area	24", 30", 36" W, Unlimited Length (61, 76, 91 W cm)
Product Height	5" Maximum (13 cm)
Roll Clearance	1 1/4" to 5" H (3.2 to 13 cm)
Bed Height	33" (84 cm)
Minimum Rule Size	.042 (3 pt) W x 1 1/8" (1.06 x 2.85 cm)
Pressure Rolls	6" Dia., 27" L (15 Dia., 69 L cm)
Overall Dimensions	43" W, 90" L, 53" H (109 W, 229 L, 135 H cm)
Power Requirement	115, 208, 230 V Single Phase, 15 Amp
Cutting Speed	80'/min. (24.4 m/min.)
Weight	650 lbs. (295 kg)

ONE YEAR WARRANTY

Machine Options

- Spare Parts Kit
 - Special Electrical For 220/440v, 3 Phase
 - Polypropylene Cutting Plates:
 - 20" W, 26" L (51 W, 66 L cm)
 - 26" W, 32" L (66 W, 81 L cm)
 - 26" W, 38" L (66 W, 97 L cm)
- (Other Sizes Available)

For Additional Product Information, Contact:

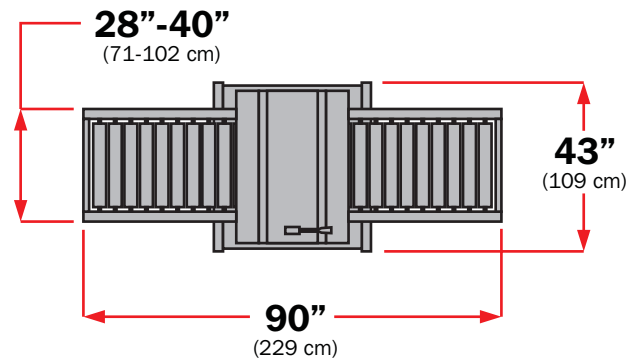


AMPAK A DIVISION OF HEAT SEAL LLC
4580 EAST 71ST STREET CLEVELAND OHIO 44125

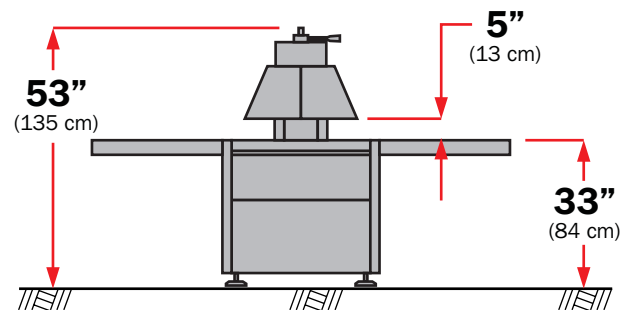
PHONE (216)588 0088 TOLL FREE (877)261 9711 FAX (216)341 2163
WORLD WIDE WEB www.ampakco.com E-MAIL custserv@ampakco.com

Machine Footprint

TOP VIEW



SIDE VIEW



NOTE Recommended Steel Rule Die Construction And Die Layout Should Be Followed To Assure Maximum Performance.

Recommended Skin Machines: Shipmate/Master

Crafted with pride in the

