



INDUSTRIAL EQUIPMENT

EZ FEEDER OUTFEED

AUTOMATIC OUTFEED



**FULLY INTEGRATED
FLEXIBLE SYSTEM**

**EZ FEEDER INFEEED ALSO
AVAILABLE**

Features Available On The Automatic Outfeed System

- Increases Productivity
- Works With Shipmate And Master Skin Machines
- Handles Up To 30" By 36" Card Size
- Small, Economical And Easy To Operate
- Built In Safety Features
- Virtual Maintenance Free Operation
- Systems Available:
 - OF-24: 24" Wide Automatic Outfeed System
 - OF-30: 30" Wide Automatic Outfeed System
 - OF-36: 36" Wide Automatic Outfeed System
- Shipped Set Up And Ready To Use

ONE YEAR WARRANTY

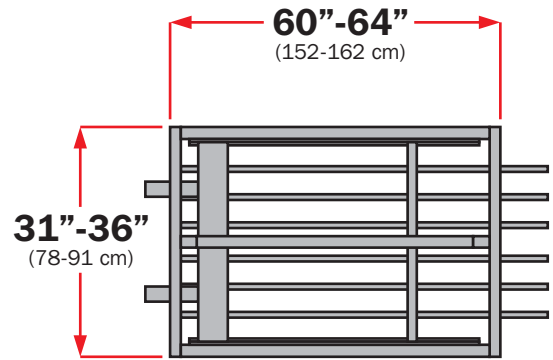
AUTOMATIC FEEDER SYSTEMS

Machine Specifications

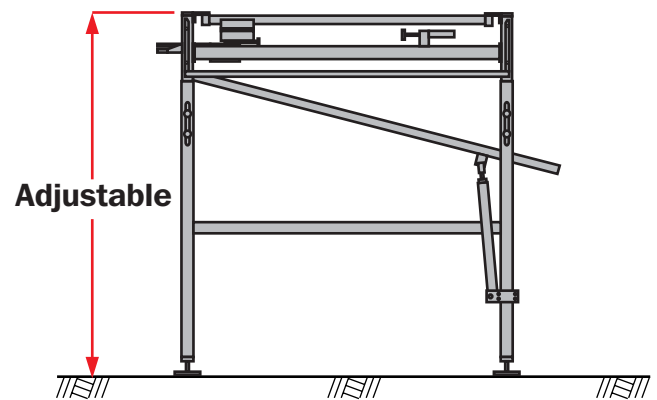
Max. Card Size	36" W, 36" L (91 W, 91 L cm)
Max. Product Weight	20 lbs. (9 kg)
Max. Product Height	5" (12 cm)
Overall Width (1824/2430) (2436/3036)	31" (78 cm) 36" (91 cm)
Overall Length (1824/2430) (2436/3036)	60" (152 cm) 64" (162 cm)
Height	Adjustable
Power Requirements	Supplied by Skin Mach.
Air	.5 cfm @ 80 psi
Weight (B)	575 lbs. (260 kg)

Machine Footprint

TOP VIEW



FRONT VIEW



NOTE Recommended Boards:
Corrugated, Boxboard and S.B.S. - Coated

ONE YEAR WARRANTY

Machine Options



For Additional Product Information, Contact:



AMPAK A DIVISION OF HEAT SEAL LLC

4580 EAST 71ST STREET CLEVELAND OHIO 44125

PHONE (216)588 0088 TOLL FREE (877)261 9711 FAX (216)341 2163
WORLD WIDE WEB www.ampakco.com E-MAIL custserv@ampakco.com

