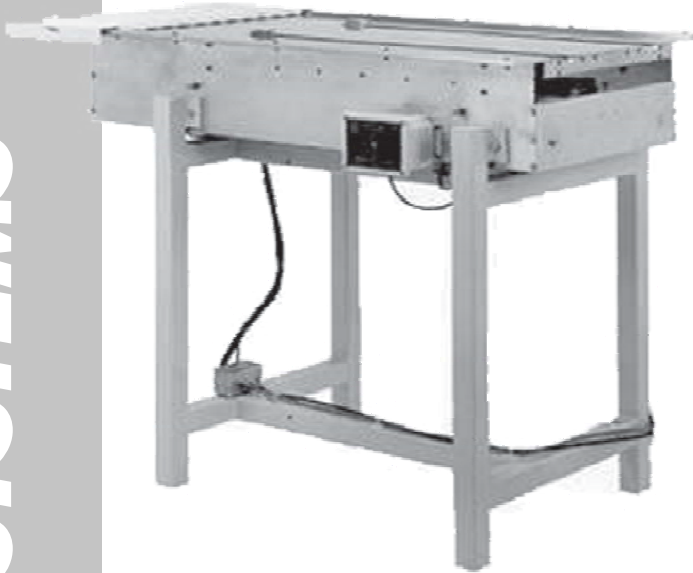




INDUSTRIAL EQUIPMENT

**EZ FEEDER
INFEED**

AUTOMATIC INFEED



**FULLY INTEGRATED
FLEXIBLE SYSTEM**

**EZ FEEDER OUTFEED ALSO
AVAILABLE**

- Features Available On The Automatic Infeed System**
- Increases Productivity
 - Works With Shipmate And Master Skin Machines
 - Handles Up To 30" By 36" Card Size
 - Small, Economical And Easy To Operate
 - Built In Safety Features
 - Virtual Maintenance Free Operation
 - Systems Available:
 - EZ-24: 24" Wide Automatic Outfeed System
 - EZ-30: 30" Wide Automatic Outfeed System
 - EZ-36: 36" Wide Automatic Outfeed System
 - Shipped Set Up And Ready To Use

ONE YEAR WARRANTY

Machine Specifications

Max. Card Size	36" W, 36" L (91 W, 91 L cm)
Max. Product Weight	20 lbs. (9 kg)
Max. Product Height	5" (12 cm)
Overall Width (1824/2430) (2436/3036)	25" (64 cm) 32" (81 cm)
Overall Length (1824/2430) (2436/3036)	47" (119 cm) 53" (135 cm)
Height	Adjustable
Power Requirements	Supplied by Skin Mach.
Air	.5 cfm @ 80 psi
Weight	1,000 lbs. (454 kg)

ONE YEAR WARRANTY

Machine Options

- Template Loading Assembly
- Additional Template Holder

For Additional Product Information, Contact:

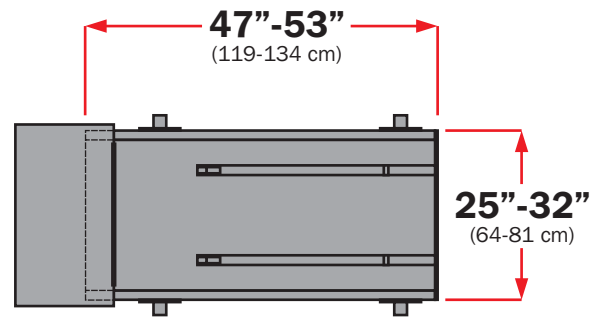


AMPAK A DIVISION OF HEAT SEAL LLC
4580 EAST 71ST STREET CLEVELAND OHIO 44125

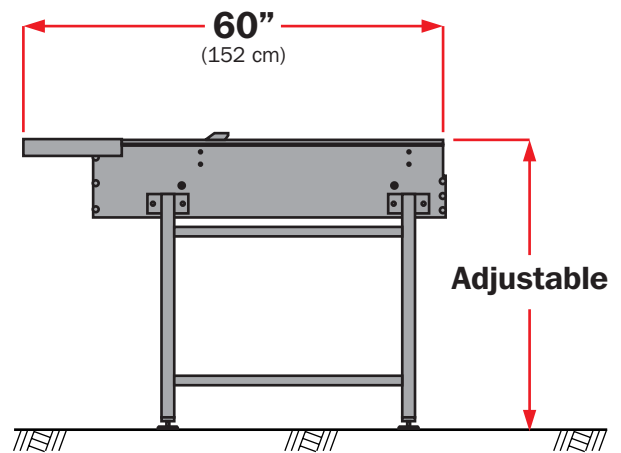
PHONE (216)588 0088 TOLL FREE (877)261 9711 FAX (216)341 2163
WORLD WIDE WEB www.ampakco.com E-MAIL custserv@ampakco.com

Machine Footprint

TOP VIEW



FRONT VIEW



NOTE Recommended Boards:
Corrugated, Boxboard and S.B.S. - Coated

Crafted with pride in the

